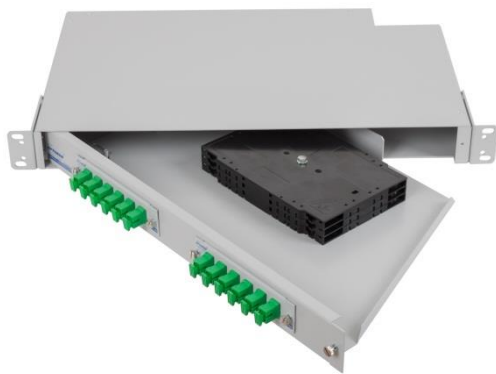


MCNP Rack Mount Connector Network Panel

Description:

The MCNP Connector Network Panel is an economical rack mountable patch panel for use with splicing of manufactured pigtailed, preterminated cables and field-installable connectors. The cables are strain-relieved at the rear of the unit. The pivoting shelf can be equipped with either a splice tray holder or bend radius protection which guides, stores and organizes excess slack. This prevents damage to fibers prior to routing into couplings. The MCNP is used in installations where space is limited.



MCNP-1S-12-SC A-C-2

Features:

- Splicing and termination optical cable in one box
- Pivoting shelf eases connector routing and cable routing
- Extended (3 coupling panels per 1U) version available
- Version for installation of adaptors under angle
- Accommodates up to 48 fibers in 1 rack unit
- Splice cassette holder enables cable termination with the help of pigtail splicing
- Enables management and rearrangement of cable slack
- Protection: IP20
- Cable strain-relief and grounding provisions
- Accepts the industry's most common connector types
- FTTH use – microtubes holder included
- Passed seismic tests according to ASME standards
- Approved for Construction of Nuclear Power Plant Components
- Operating temperature -40 to +85 °C¹

Technical specifications:

PART NUMBER	FIBER CAPACITY ²⁺⁵		RACK UNITS	DIMENSIONS (HxWxD) mm	SHIP WGT (kg)
	CNPM-XX-06 ³	CNPM-XX-08 ³			
MCNP – 1S	12 (24)	16 (32)	1	44 x 432 x 280	2.4
MCNP – 2S	24 (48)	32 (64)	2	88 x 432 x 280	3.8
MCNP – 3S	36 (72)	48 (96)	3	133 x 432 x 280	5.2
MCNP – 1E	18 (36)	24 (48)	1	44 x 432 x 280	2.4
MCNP – 2E	36 (72)	48 (96)	2	88 x 432 x 280	3.8
MCNP – 3V	72 (144)	96 (192)	3	133 x 432 x 280	5.5
MCNP – 2A ⁴	48 angled adaptors, no CNPM panels		2	88 x 432 x 280	3.8

- Note:
- 1) Conditioned by cable and connector/adaptors temperature range
 - 2) Splice Tray: CMS_01-09_EN-KNS Splice_trays
 - 3) CNPM coupling panel: CMS_24-01_EN-CNPM
 CNPM-XX-06 6 pcs ST, FC, SC, E2000, DLC ... adaptors
 CNPM-XX-08 8 pcs ST, FC, SC, E2000, DLC... adaptors

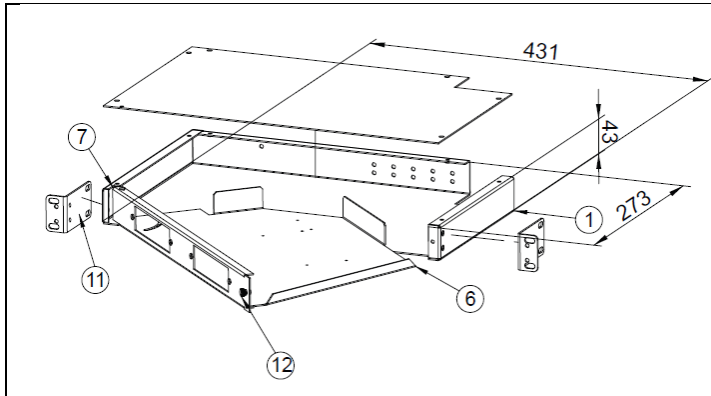
5) Fiber capacity depends on connector adaptor type, e.g. in the case DLC it is **double capacity**.
(Under the condition that in splice trays then instead of standard protection sleeves there are used smaller and thinner sleeves and there are used 2 lines in one splice holder).

- 4) **MCNP-2A** - special front panel with angle mount adaptors
 - CNPM panels not used in this variant
 - SC footprint adaptor types (SC, DLC, E2000, MT-RJ, etc.)



MCNP-2A-48-E2 A-C-4

Product information and specification



Parts which are available separately:

- 1 OFDU-BU-X base unit
- 6 MCNP-TS-1 twisting shelf
- 7 MCNP-CP-1 front panel
- 8 MCNP-TC top cover
- 11 UH-X unit holder
- 12 Front panel fixation screw

X=2,3 – rack unit

Ordering Code:

MCNP - XX - XX - XX(F)⁶ X - X - XX

Version

Rack Unit	Type
1 1U	S Standard
2 2U	(2 panels per 1U)
3 3U	V Vertical
	(12 panels per 3U)
	E Extended
	(3 panels per 1U)
	A Angled
	(no CNPM panels)

Fiber Capacity

12, 24, ..fibers

Coupling Type

XX		X
ST	ST	M Multimode
SC(F)	SC	S Single mode
FC	FC	A APC
E2(F)	LSH (E2000)	
MJ	MT-RJ	
DSC(F)	duplex SC	
DLC(F)	duplex LC	
DMU(F)	duplex MU	

X - Option for Fiber Termination

- B** Bend radius protectors
- C** Splice cassette for 12 splicing

XX - Number of Splice Cassettes (for „C” option)

- 0** No cassette (only splice holder)
- 1** 1 Splice cassette
- 2** 2 Splice cassettes
- 3** 3 Splice cassettes
- ...** up to 12 splice cassettes

Note: 6) "F" fixed adaptors by screws



MCNP-2S with KNS-12S splicing cassettes



MCNP-1S top cover removed