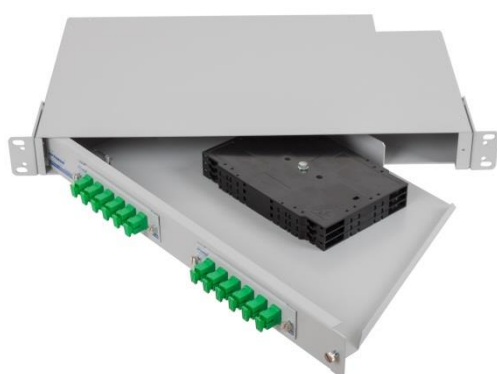


MCNP

Rack Mount Connector Network Panel

Description

The **MCNP** Connector Network Panel is an economical rack mountable ODF – optical distribution frame for use with splicing of manufactured pigtails, pre terminated cables and field-installable connectors. Made of lightweight and resistant aluminum alloy the **MCNP** offers user friendly handling during installation and operation and low transportation costs. The incoming cables are strain-relieved at the rear panel of the unit. The pivoting shelf can be equipped with either a splice tray holder or bend radius protection which guides, stores and organizes excess slack. This prevents damage to fibers prior to routing into couplings. The **MCNP** is used in installations where space is limited.



MCNP-1S-12-SC A-C-2/A

Features

- Splicing and termination optical cable in one box
- Pivoting shelf eases connector routing and cable routing
- Extended (3 coupling panels per 1U) version available
- Version for installation of adaptors under angle
- Accommodates up to 48 fibers in 1 rack unit
- Splice cassette holder enables cable termination with the help of pigtail splicing
- Made of lightweight aluminum alloy
- Protection: IP20
- Cable strain-relief and grounding provisions
- Accepts the industry's most common connector types
- FTTH use – microtubes holder included
- Passed seismic tests according to ASME standards
- Approved for Construction of Nuclear Power Plant Components
- Operating temperature -40 to +85 °C¹

Technical specifications

PART NUMBER	FIBER CAPACITY ²⁺⁵		RACK UNITS	DIMENSIONS (HxWxD) mm	SHIP WGT (kg)
	CNPM-XX-06 ³	CNPM-XX-08 ³			
MCNP – 1S	12 (24)	16 (32)	1	44 x 432 x 239	2.4
MCNP – 2S	24 (48)	32 (64)	2	88 x 432 x 239	3.8
MCNP – 3S	36 (72)	48 (96)	3	133 x 432 x 239	5.2
MCNP – 1E	18 (36)	24 (48)	1	44 x 432 x 239	2.4
MCNP – 2E	36 (72)	48 (96)	2	88 x 432 x 239	3.8
MCNP – 3V	72 (144)	96 (192)	3	133 x 432 x 239	5.5
MCNP – 2A ⁴	48 angled adaptors, no CNPM panels		2	88 x 432 x 239	3.8

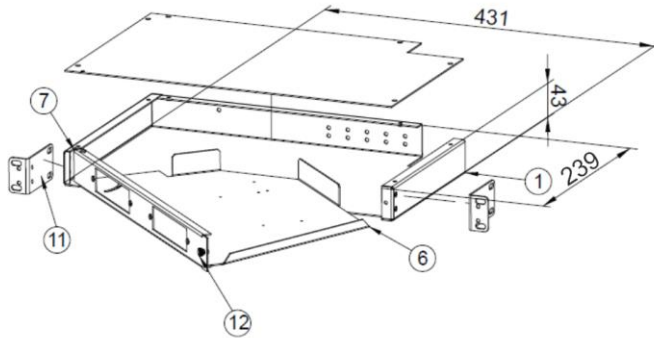
Note:

- 1) Conditioned by cable type
- 2) Splice Tray: CMS_01-09_EN-KNS Splice_trays
- 3) CNPM coupling panel: CMS_24-01_EN-CNPM
 CNPM-XX-06 6 pcs ST, FC, SC, E2000, DLC ... adaptors
 CNPM-XX-08 8 pcs ST, FC, SC, E2000, DLC... adaptors
- 4) **MCNP-2A**
 Special front panel with angle mount adaptors
 - CNPM panels not used in this variant
 - SC footprint adaptor types
- 5) Fiber capacity depends on connector adaptor type, e.g. in the case DLC it is **double capacity**.
 (SC, DLC, E2000, MT-RJ, etc.)



MCNP-2A-48-E2 A-C-4 /A

Product information and specification



Parts which are available separately:

- 1 OCNP-BU-X base unit
- 6 OCNP-TS-1 twisting shelf
- 7 OCNP-CP-XY front panel
- 8 OCNP-TC top cover
- 11 UH-X unit holder
- 12 Front panel fixation screw

X=1, 2,3 – rack unit

Ordering Code

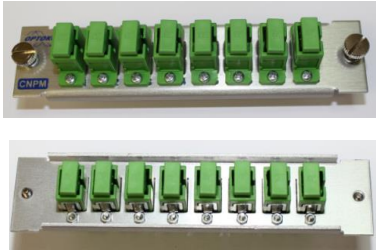
MCNP - XX - XX - XX(F)⁶X - X - XX /A

<p>Version</p> <table border="0"> <tr> <td>Rack Unit</td> <td>Type</td> </tr> <tr> <td>1 1U</td> <td>S Standard</td> </tr> <tr> <td>2 2U</td> <td>(2 panels per 1U)</td> </tr> <tr> <td>3 3U</td> <td>V Vertical</td> </tr> <tr> <td></td> <td>(12 panels per 3U)</td> </tr> <tr> <td></td> <td>E Extended</td> </tr> <tr> <td></td> <td>(3 panels per 1U)</td> </tr> <tr> <td></td> <td>A Angled</td> </tr> <tr> <td></td> <td>(no CNPM panels)</td> </tr> </table>	Rack Unit	Type	1 1U	S Standard	2 2U	(2 panels per 1U)	3 3U	V Vertical		(12 panels per 3U)		E Extended		(3 panels per 1U)		A Angled		(no CNPM panels)	<p>Fiber Capacity</p> <p>12, 24,... fibers</p>	<p>X - Option for Fiber Termination</p> <p>B Bend radius protectors</p> <p>C Splice cassette for 12 splicing</p> <p>XX - Number of Splice Cassettes (for „C” option)</p> <p>0 No cassette (only splice holder)</p> <p>1 - 3 Number of Splice Cassettes for 1U</p> <p>1 - 8 Number of Splice Cassettes for 2U</p> <p>1 - 12 Number of Splice Cassettes for 3U</p>
Rack Unit	Type																			
1 1U	S Standard																			
2 2U	(2 panels per 1U)																			
3 3U	V Vertical																			
	(12 panels per 3U)																			
	E Extended																			
	(3 panels per 1U)																			
	A Angled																			
	(no CNPM panels)																			

Coupling Type

XX		X
ST	ST	M Multimode
SC(F)	SC	S Single mode
FC	FC	A APC
E2(F)	LSH (E2000)	
MJ	MT-RJ	
DSC(F)	Duplex SC	
DLC(F)	Duplex LC	
DMU(F)	Duplex MU	

Note: 6) "F" Fixed adaptors by screws



MCNP-2S-24-SC A-C-6 /A



MCNP-3V-96-SC S-C-8 /A